



Electric Actuators From Peregrine Technologies

www.peregrinetechnologies.co.in

We, Peregrine Technologies Pvt. Ltd. are proud to introduce ourselves as manufacturers of Electric Actuators & Servomotors for ON/OFF & modulating applications. These Actuators are products of engineering excellence, designed & manufactured indigenously, drawing upon decades of experience in application engineering.

Manufacturers of
 Electric Actuators
 & Servomotors



Industries We Serve



Peregrine Electric Actuators incorporate the following features

- High Torque, Low Inertia. Short-Circuit proof Synchronous Motors
- 100% Continuous Electric Duty
- Heavy duty and low maintenance design
- Continuous control times, even with fluctuations in voltage and load
- Instantaneous start, stop & reverse
- Mounting Position, completely independent of orientation
- Choice of supply voltages, 230VAC, 110VAC, 24VAC. 12VDC & 24VDC available on demand
- Up to 4 Auxiliary switches possible
- Up to 2 Potentiometers/ Ohmic feedback possible
- Microprocessor based, "SMART" User Programmable 4-20mA Interface available
- Bearings lubricated for life

PEREGRINE Actuators provide reliable and accurate Valve/ Damper control at affordable prices.

PEREGRINE also offers factory assembled Motorised Dampers & 'V' Port Valves incorporating optimally selected Peregrine Electric Actuators.





Housing & Drive

- Pressure Die - Cast Zinc/ Aluminium Alloy with Epoxy Powder coated finish
- High quality Hardened & Ground Carbon Steel Spur gearing to ensure many years of trouble free operation
- Hardened Stainless Steel output shaft
- Bearings lubricated for life
- 3/2 cable entries
- Available with standard $\Phi 12/15\text{mm} \times 30$ male Shaft or with DIN/ISO5211 Flange (F05/F07 & F10)
- Protection Class IP 65

Motor

- Short - circuit proof alternating current synchronous motor
- Single pole reversible
- $230\text{VAC} \pm 10\%$, $110\text{VAC} \pm 10\%$, $50/60\text{Hz} \pm 5\%$, $24\text{VAC} \pm 10\%$
- Starting and stopping times in milliseconds
- Minimal pulse length of 50-200ms (type dependent)
- Switches with Silver Contacts to ensure millions of operation cycles
- Control steps are 100% maintained
- Insulation Category B in accordance with VDE 0530



Potentiometer (Option)

- For an external position indication and/or desired valued comparison
- Up to 2 Potentiometers / Ohmic feedbacks possible



Actuation

- By means of manual switch gear
- Via 2 level, 3 level and continuous controller
- Programmable Microprocessor based interface, integrated into the actuator for set values of 0/4 - 20mA

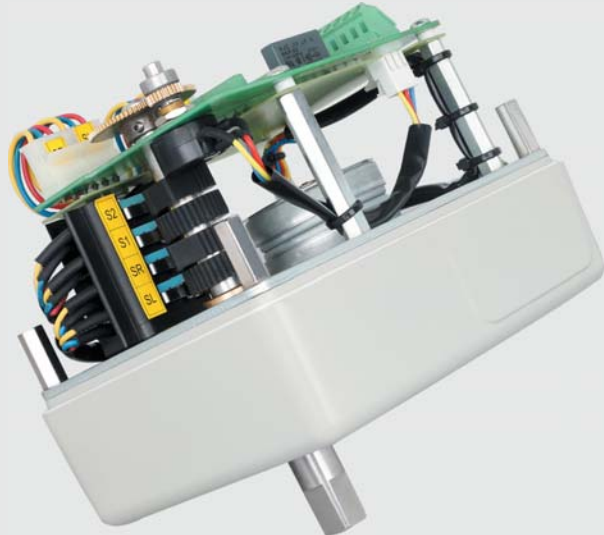
Ambient Temperature

- -15°C to 80°C

Switching Off

- 2 limit switches (standard)
- All path - dependent switches operated by means of infinitely adjustable control cams
- Exact limitation of end of travel and intermediate positions

Programmable Microprocessor based 0/4-20 mA interface



The programmable Microprocessor based Interface *i*-CON 1/2 are used for straight forward and accurate positioning of PEREGRINE Electric Actuators.

Thanks to a multitude of control options and very simple adjustments, the microprocessor controller suits every area of the industrial application where accurate positioning of the actuator shaft is required.

Installation

- Simple Installation by means of solid mounting bracket / ISO flanges
- Easy connection to Drive shaft by :
 - Claw Coupling
 - Hand Lever Coupling
 - Lever Arm, Clamping Lever Arm, Ball and Socket Joint, Rods, Spring Rods
 - Flexible Shaft Coupling
 - Rigid Shaft Coupling

Options

- 4 additional auxiliary switches
- Microprocessor based Interface - *i*-CON1 including Potentiometer
- Microprocessor based Interface - *i*-CON2 including Potentiometer
- Dis-Engageable Hand Lever Coupling for 30 Nm
- Claw coupling for up to 15Nm
- ISO Kit for Ball Valves/Butterfly/Damper Valves
- Mounting Kits for High Temperature applications
- Private Branding possible for large OEMs



Choice of Cams

- Choice of regular or specially profiled cams available
- Can be combined with the Auxiliary switches to provide feedback for complex control logic/models



Onboard Local Station

- Option with onboard Local Station for Auto/Manual operation
- Control accessories - Auxiliary Switches and Potentiometer available as options



Series /Model	Operation Time	Torque	Power Input (Max VA)	Supply Voltage Option	Wt. in kgs.
ERQT 0815	15 secs/90°	8 Nm	6 VA	230VAC OR 110VAC	2
ERQT 0830	30 secs/90°	8 Nm	4 VA	230VAC OR 110VAC	2
ERQT 1530	30 secs/90°	15 Nm	6 VA	230VAC OR 110VAC	2
ERQT 1560	60 secs/90°	15 Nm	4 VA	230VAC OR 110VAC	2
ERQT 3030	30 secs/90°	30 Nm	8 VA	230VAC OR 110VAC	3
ERQT 3060	60 secs/90°	30 Nm	8 VA	230VAC OR 110VAC	3
ERQT 4030	30 secs/90°	40 Nm	9.6 VA	230VAC OR 110VAC	3.5
ERQT 4060	60 secs/90°	40 Nm	9.6 VA	230VAC OR 110VAC	3.5
ERQT 5030	30 secs/90°	50 Nm	10.6 VA	230VAC OR 110VAC	3.9
ERQT 5060	60 secs/90°	50 Nm	10.6 VA	230VAC OR 110VAC	3.9

NOMENCLATURE OF PEREGRINE ELECTRIC ACTUATORS

ERQT 1530	1	2	1	1	01	230VAC		
Actuator Model Reference	Signal Interface/Control Type		Auxiliary Switches		Potentio-meter Resolution in Ohms(Ω)	Max. Rotation	Potentio-meter Resolution in Ohms(Ω)	Supply Voltage
	1-Basic/Change Over (CO) Contact	2- <i>i</i> -CON (0)4-20mA/ Intelligent Control OR 2R- <i>i</i> -CON (0)4-20mA/ Intelligent Control	With Basic/Change over (CO) Contact	With <i>i</i> -CON (0)4-20mA/ Intelligent Control				
ERQT 0815		2- <i>i</i> -CON (0)4-20mA/ Intelligent Control	0/1/2/3/4 (Max. 4 Nos.)					
ERQT 0830		3-Basic with Local Station for Auto/Manual Operation		0/1/2 (Max. 2 nos.)		00 - NA		230VAC
ERQT 1530						01 - 1K Ω		
ERQT 1560						02 - 5K Ω		110VAC
ERQT 3030						03 - 10 K Ω		
ERQT 3060								
ERQT 4030								
ERQT 4060								
ERQT 5030								
ERQT 5060								

1) For Models ERQT 0815/0830/1530/1560 with (0)4-20 mA/Intelligent Control interface *i*-CON; for Models ERQT 3030/3060 with (0)4-20 mA/Intelligent Control interface *i*-CON; and for Models ERQT 4030/4060/5030/5060 with (0)4-20 mA/Intelligent Control interface, *i*-CON should be construed as *i*-CON R.

2) *i*-CON R, is a remotely installed Intelligent Control interface, which is available in DIN Rail mountable housing, and can be mounted remotely in a Panel; *i*-CON R is optional for all ERQT variants including ERQT 0815/0830/1530/1560/3030/3060; when the ambient temperature around the Actuator is above 60° C.

3) For Basic Models ERQT 0815/0830/1530/1560 - Max. 4 nos. and for Models ERQT 3030/3060/4030/4060/5030/5060 - Max. 2 nos. of Auxiliary Switches can be provided. For Intelligent Control Models ERQT 0815/0830/1530/1560/3030/3060 - Max. 2 nos. of Auxiliary Switches can be provided.

For Basic with Local Station option Models ERQT 0815/0830/1530/1560/3030/3060 - Max. 2 nos. of Auxiliary Switches can be provided.

For Basic Models ERQT 0815/0830/1530/1560, set up for 180° rotation; a maximum of 2 nos. of Auxiliary Switches can be provided along with Potentiometer.

4) Potentiometer as an accessory/option for OHMIC position feedback can be offered with basic versions only; is not applicable (00/NA) for Intelligent Control versions. Actuators with *i*-CON Intelligent Control provide (0)4-20 mA feedback, built-in, as standard.

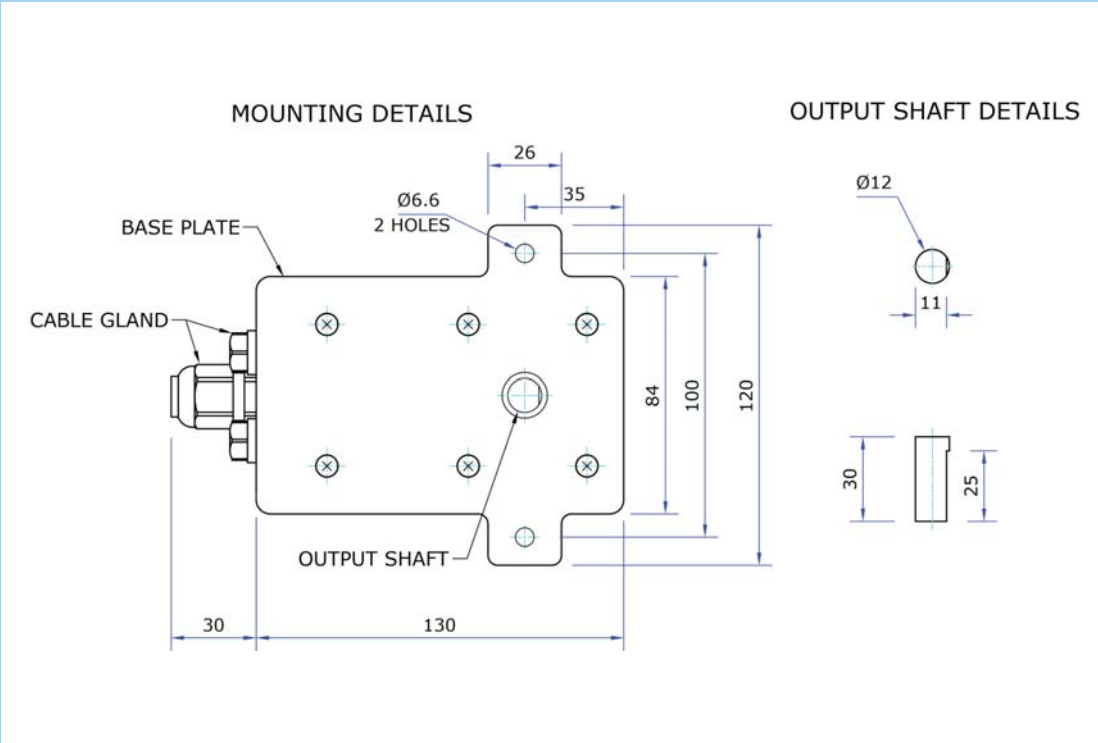
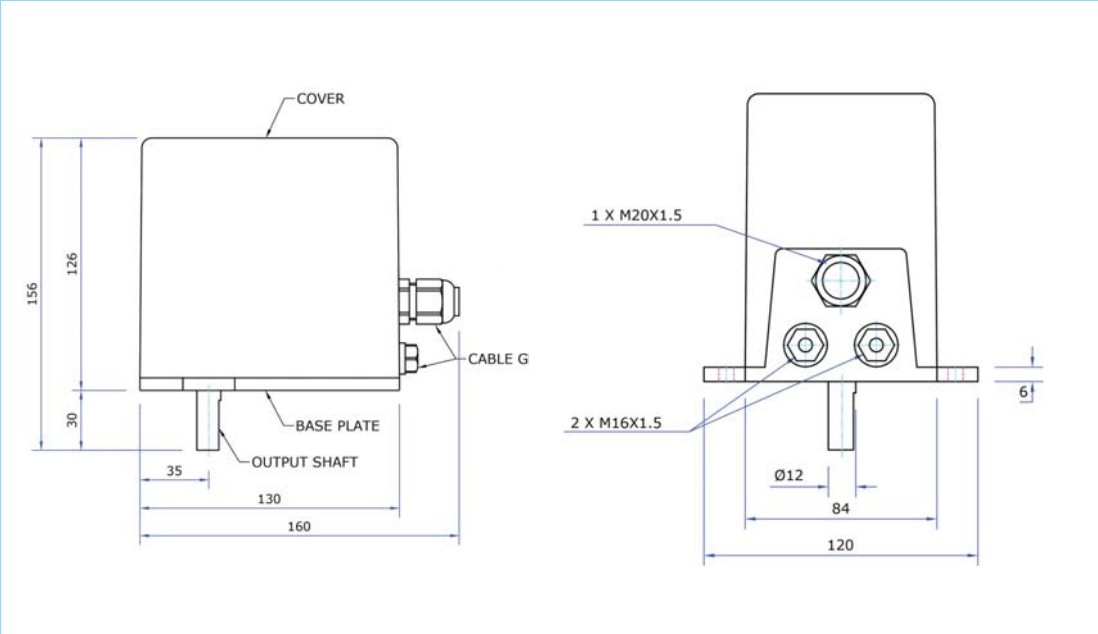
Example 1: ERQT 1530 -1-2-1-1-01, 230VAC should be interpreted as follows: ERQT 1530- Actuator Model Reference, 1- Basic PCB Card, 2- 2 nos. Auxiliary Switches, 1- Potentiometer Applicable, 1- 90° Rotation, 01- 1 K Ω Potentiometer resolution, 230 VAC - Supply Voltage

Example 2: ERQT 3060-3-2-1-1-01, 230VAC should be interpreted as follows: ERQT 3060- Actuator Model Reference, 3- Basic PCB Card incorporating Local Station for Auto/Manual operation, 2- 2 nos. Auxiliary Switches, 1- Potentiometer Applicable, 1- 90° Rotation, 01- 1 K Ω Potentiometer resolution, 230 VAC- Supply Voltage

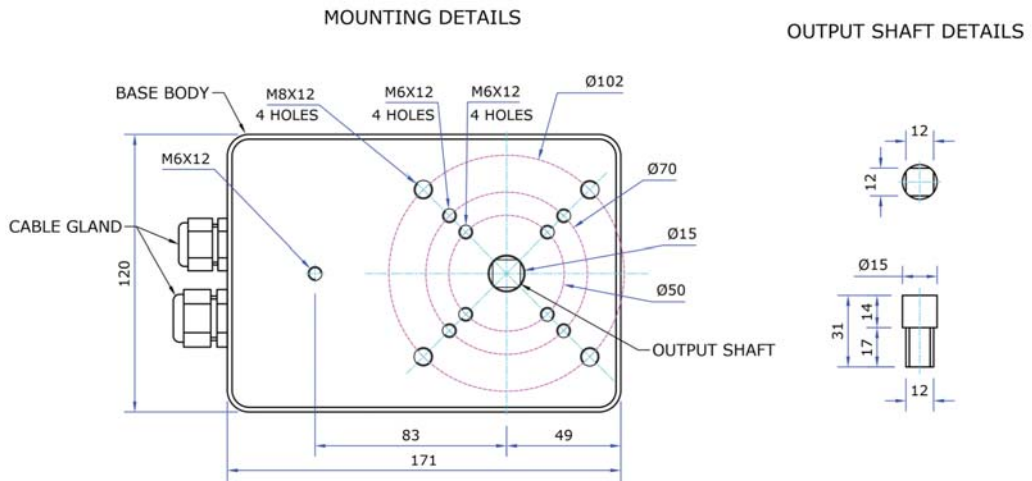
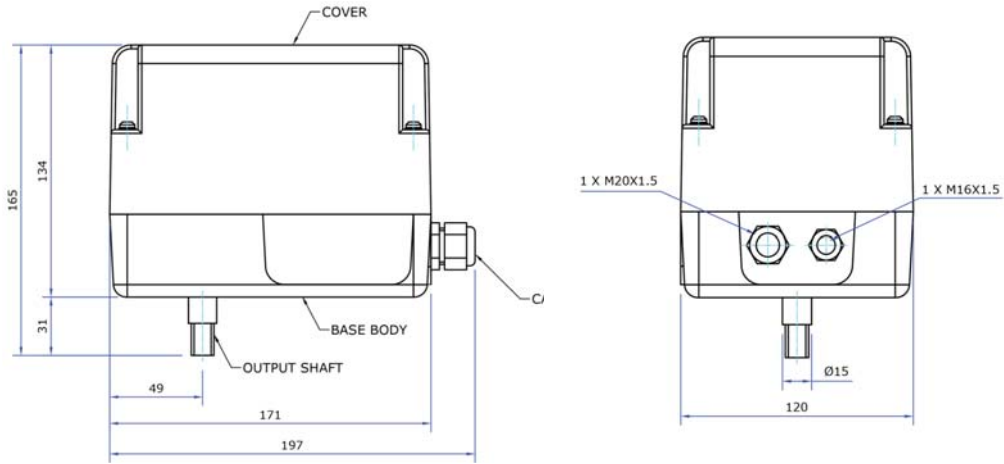
Example 3: ERQT 4030-2R-2-1-1-02, 230VAC should be interpreted as follows: ERQT 4030- Actuator Model Reference, 2R- Remote Intelligent Control, 2- 2 nos. Auxiliary Switches, 1- Potentiometer Applicable, 1- 90° Rotation, 02- 5 K Ω Potentiometer resolution, 230 VAC- Supply Voltage

*Actuators ERQT 0815/0830/1530 & 1560 despite their varied torque ratings and cycle times have the same external dimensions - are collectively referred to as ERQT 15XX; likewise, ERQT3030 & 4060 are clubbed as ERQT 30XX, ERQT4030 & 5060 are clubbed as ERQT 50XX.

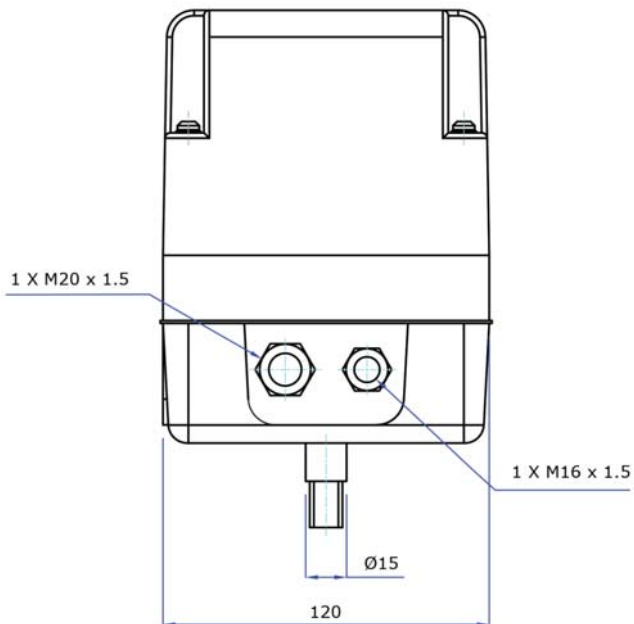
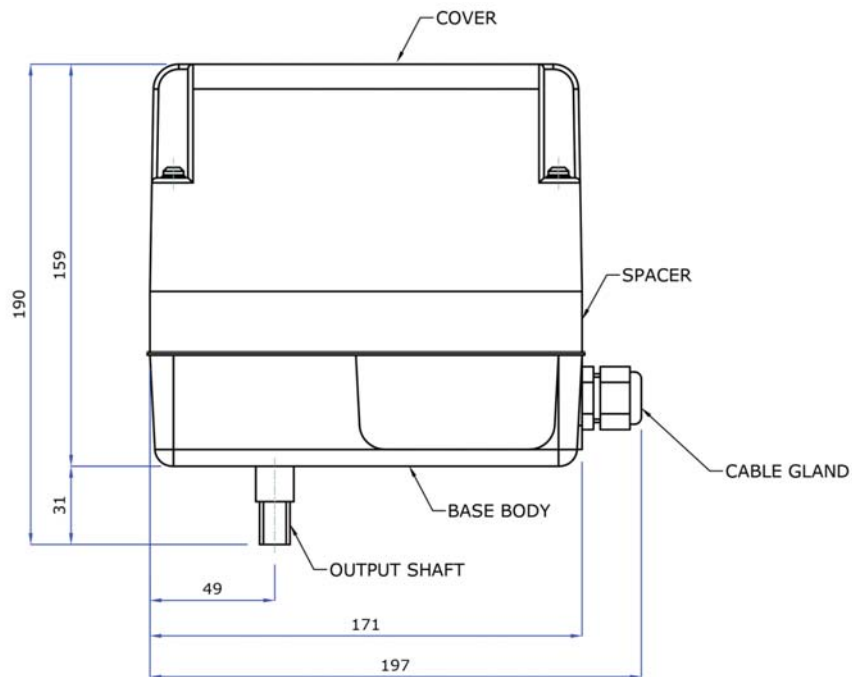
DIMENSIONS - ERQT 0815/0830/1530/1560



DIMENSIONS - ERQT 3030/3060



DIMENSIONS - ERQT 3030/3060 WITH *i*-CON2 OPTION





Peregrine Technologies Pvt. Ltd.



Sales & Regd. Office

Unit 138, Building 1,
New Sonal Link Industrial Estate,
Link Road, Malad (West),
Mumbai 400 064, India.

☎ +91 22 6692 4767 / 88792 73828

☎ +91 82912 73828

✉ sales@peregrinetechnologies.co.in

Factory

Units 8E, 8F, 9E & 9F,
Poonam Industrial Estate, Suncity Industrial Park,
Village Padgha, Palghar (East),
Dist. Palghar 401 404, India.

☎ +91 80807 13004 / 90222 83004

☎ +91 84840 54484 (Service)

✉ palghar@peregrinetechnologies.co.in

www.peregrinetechnologies.co.in